

GENERAL STRUCTURAL NOTES

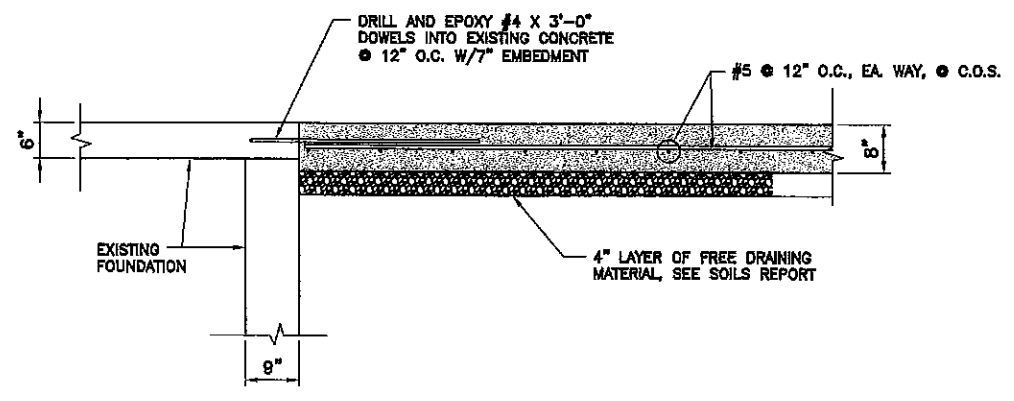
DESIGN CRITERIA
 LIVE LOADS
 ROOF: SNOW = 30 PSF
 INTERIOR FLOORS = 250 PSF PLUS EQUIPMENT WEIGHT
 SEISMIC DESIGN CATEGORY B

FOUNDATION, EXCAVATION AND BACKFILL:
 FOUNDATION DESIGN BASED ON KUMAR & ASSOCIATES GEOTECHNICAL REPORT, JOB NO. 09-2-125, DATED APRIL 10, 2009. CONTRACTOR SHALL REVIEW THE SOILS REPORT WHICH IS AVAILABLE IN THE ENGINEER'S OFFICE. A QUALIFIED SOILS ENGINEER SHALL INSPECT THE OPEN EXCAVATION TO VERIFY THE FOUNDATION BEARING MATERIAL BACKFILL MATERIAL AND PLACEMENT UNDER THE SLAB SHALL BE CONSISTENT WITH THE DESIGN CRITERIA.

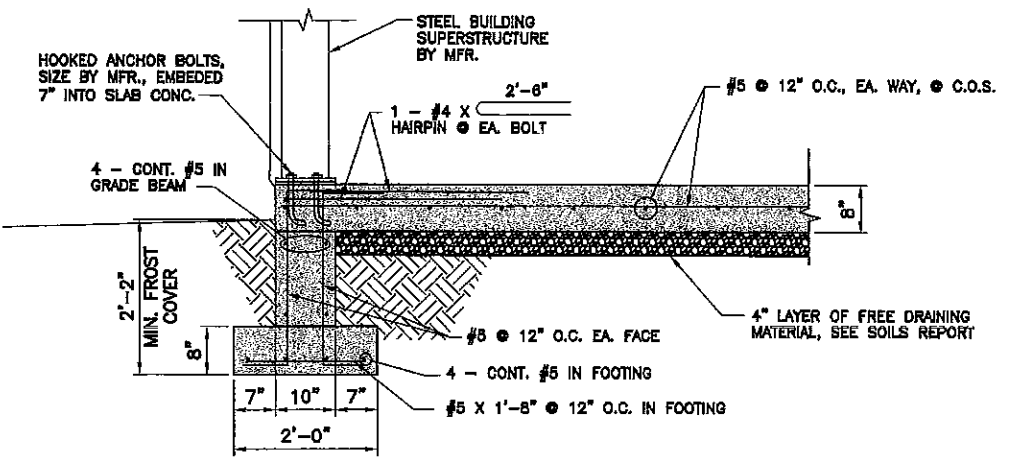
CONCRETE
 DESIGN AND CONSTRUCTION SHALL BE IN ACCORDANCE WITH THE LATEST EDITION OF ACI CODES AND REPORTS 301 AND 318. ALL CONCRETE SHALL DEVELOP 4000 PSI COMPRESSIVE STRENGTH WITHIN 28 DAYS, UNLESS OTHERWISE NOTED. ALL CONCRETE SHALL MEET THE MINIMUM CEMENT AND FLY ASH QUANTITIES, MAXIMUM WATER CEMENTITIOUS MATERIALS RATIO OF 0.45 AND OTHER CRITERIA CALLED FOR IN THE SPECIFICATIONS. FLOOR CONCRETE SHALL BE PLACED IN ONE CONTINUOUS OPERATION WITHOUT COLD JOINTS OR CONSTRUCTION JOINTS, UNLESS SPECIFICALLY SHOWN BY THE STRUCTURAL ENGINEER. SEE DRAWINGS BY OTHERS FOR SIZES AND LOCATIONS OF HOLES, SLEEVES, REGLETS, BOLTS, NOTCHES, DRIPS, EMBEDDED ITEMS, ETC. ALL CONCRETE CORNERS EXPOSED TO VIEW SHALL HAVE 3/4" CHAMFER.

REINFORCEMENT
 DETAILING, FABRICATION, AND PLACEMENT SHALL BE IN ACCORDANCE WITH ACI 318 AND 315, UNLESS OTHERWISE NOTED ON THE DRAWINGS OR IN THE SPECIFICATIONS. STEEL REINFORCEMENT SHALL BE NEW, DEFORMED BILLET STEEL, MEETING ASTM STANDARD A 615. #4 BARS AND LARGER SHALL BE GRADE 60 STEEL; #3 BARS AND DESIGNATED REINFORCEMENT SHALL BE GRADE 40; SHOP DRAWINGS SHALL BE MARKED ACCORDINGLY. GRADE 60 DOWELS SHALL NOT BE BENT IN THE FIELD AFTER PLACING. REINFORCEMENT IN ALL WALLS AND SLABS SHALL BE CONTINUOUS AROUND CORNERS OR CORNER BARS PROVIDED BOTH VERTICAL AND HORIZONTAL OR AS DETAILED ON THE DRAWINGS. LAP ALL TENSION SPLICES ACCORDING TO ACI 318-08, CLASS B, AND ALL COMPRESSION SPLICES 30 BAR DIAMETERS, EXCEPT AS NOTED OR SHOWN ON THE DRAWINGS. SEE DRAWINGS FOR TRIM BARS ON ALL SIDES OF OPENINGS AND PIPES. PROVIDE CONCRETE COVER FOR REINFORCEMENT AS FOLLOWS: 3" FOR CONCRETE DEPOSITED AGAINST THE GROUND; 1 1/2" FOR BARS ELSEWHERE, UNLESS NOTED OTHERWISE ON THE DRAWINGS. ALL CONCRETE REQUIRES REINFORCEMENT. WHERE REINFORCEMENT IS NOT SHOWN ON DRAWINGS, THE "BUILDING CODE AND COMMENTARY" (ACI 318), SHALL BE REFERRED TO FOR PROPER REINFORCEMENT. PROVIDE CORROSION PROTECTED ACCESSORIES FOR ALL CONCRETE SURFACES. TACK WELDING OF REINFORCING BARS IS NOT PERMITTED, UNLESS OTHERWISE CALLED FOR OR REVIEWED BY THE ENGINEER.

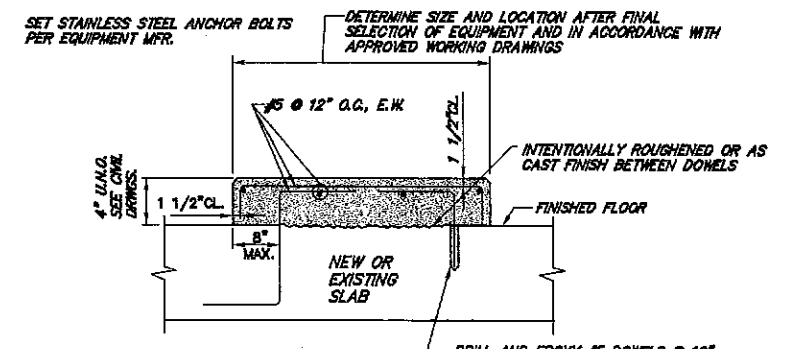
PLAN
 SCALE: 1/4"=1'-0"



SECTION
 SCALE: 3/4"=1'-0"



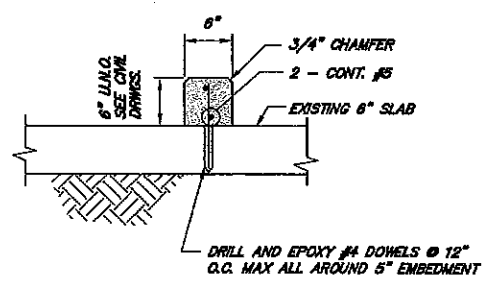
TYPICAL BASE SECTION
 SCALE: 3/4"=1'-0"



NOTES

1. SUBSTITUTE DRILLED AND EPOXIED DOWELS FOR EMBEDDED DOWELS IN NEW SLABS IF REQUIRED. DO NOT DRILL THROUGH EXISTING SLAB REINFORCEMENT.
2. CLEAN AND ROUGHEN JOINT, IF REQUIRED, BEFORE PLACING CONCRETE FOR EQUIPMENT PAD.
3. FOR EQUIPMENT PADS NOT SHOWN SEE DRAWINGS BY OTHERS.

1 TYP. EQUIP. PAD
 SCALE: 1"=1'-0"



C TYP. CONTAINMENT CURB
 SCALE: 1"=1'-0"

JL JORGENSEN & CLOSE ASSOCIATES, INC.
 350 INDIANA STREET, SUITE 720
 GOLDEN, CO 80401
 WWW.CLOSE-ASSOCIATES.COM 303-989-9000 FAX 303-989-9003

PROFESSIONAL REGISTERED ENGINEER
 36799

JACA NUMBER 4454

REVISIONS		DES	DWN	CHKD
NO.	BY	DATE	REMARKS	



COLORADO CITY METROPOLITAN DISTRICT
 COLORADO CITY, COLORADO
 COLD SPRING WTP IMPROVEMENTS

STRUCTURAL
 PLAN AND SECTIONS
 SCALE: AS NOTED

COPYRIGHT © 2007
 MALCOLM PIRNIE, INC.
 DATE: JUNE 2009
 S-1 SHEET 1 OF 1
 CAD REF. NO. S-1

MALCOLM PIRNIE

AGENCY REVIEW