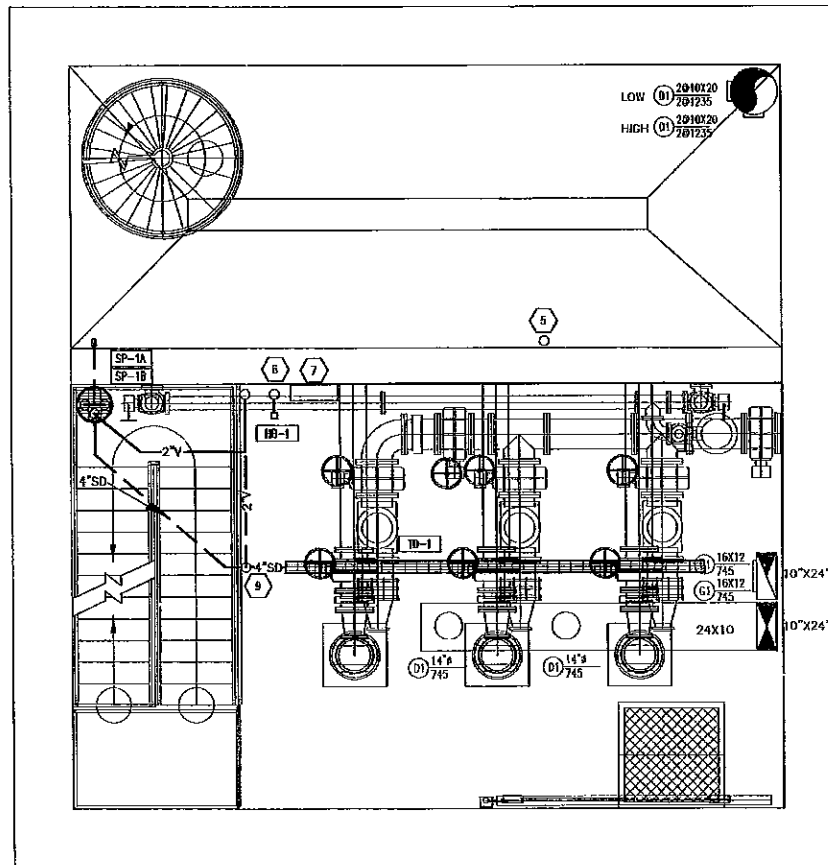


**MECHANICAL PLAN**  
**LOWER LEVEL**  
 SCALE 1/4"=1'-0"



**MECHANICAL PIPING PLAN**  
**LOWER LEVEL**  
 SCALE 1/4"=1'-0"

**SEQUENCE OF OPERATION**

**EXHAUST FANS**  
 TAG: EF-1 WET WELL  
**OCCUPIED MODE.**  
 DURING THE OCCUPIED MODE THE EXHAUST FAN SHALL BE ENERGIZED, THE OCCUPIED MODE SHALL BE DETERMINED BY THE LIGHT SWITCH OR A WALL MOUNTED SWITCH. ENERGIZING THE FAN IS SUBJECT TO CONTACT BEING MADE BY THE END SWITCH ON THE DAMPER.  
**UNOCCUPIED MODE.**  
 DURING THE UNOCCUPIED MODE THE EXHAUST FAN SHALL BE DE-ENERGIZED AND THE CONTROL DAMPER IS CLOSED.

**INTERLOCK**  
 CONTROL DAMPER LOCATED AT THE FAN SUCTION.

**SUPPLY FAN**  
 TAG: SF-1 WET WELL  
**WET WELL POSITIVE PRESSURE FAN**  
 THE FAN IS ENERGIZED CONTINUOUS. THE CONTROLS ARE INTEGRAL TO THE UNIT. SET THE DISCHARGE AIR TEMPERATURE AT 80°F  
**MAKE UP AIR UNIT WITH HEAT RECLAIM.**  
 TAG: MAU-1  
 CONTROLS-REFER TO SPECIFICATION SECTION 15782

**SAFETIES**  
 PROVIDE AND INSTALL AN IONIZATION TYPE SMOKE DETECTOR IN THE SUPPLY AIR DUCT.

**ELECTRIC UNIT HEATER: EUH-1.**  
 CONTROL: A INTEGRAL MOUNTED THERMOSTAT SHALL ENERGIZE AND DEENERGIZE THE ELEMENT.

**CONSTRUCTION NOTES**

- 1 10"x24" DUCT PENETRATION THROUGH THE CEILING.
- 2 LOCATE THE GRILLE AS HIGH AS POSSIBLE
- 3 LOCATE THE GRILLE WITHIN 12" OF THE FLOOR.
- 4 ALL SCREWS, FASTENERS, AND DUCT HANGING MATERIAL ETC. IS REQUIRED TO BE STAINLESS STEEL IN THIS AREA.
- 5 4"SD CONTINUE TO WELL.
- 6 3/4"NP CONTINUE TO UPPER LEVEL.
- 7 PROVIDE AND INSTALL A HOSE SUPPORT.
- 8 24" DUCT PENETRATION THROUGH THE CEILING ABOVE.
- 9 USE THE SAME TRAP PRIMER AS THE UPPER LEVEL FOR THIS TRAP.



SOLE ENGINEERING, INC.  
 MECHANICAL  
 CONSULTING ENGINEERS

MEMBER: 15620 CIV. ENG. REG. # 80638 • 270 912-0037 • MEMBER 303-662-7721

E:\2009 Projects\09-028.05\09028.05.M1.dwg Last Saved: 7/22/2009 1:55 PM AutoCad Ver: 17.1S (LMS TECH)

NO.	DATE	REVISIONS	BY

DRAWN	GE	DESIGNED	SE	DATE	JUNE 2009
CHECKED			GE		
SCALE	AS NOTED	APPROVED		PROJ. NO.	09028.0

**The Engineering Company**  
 2310 East Prospect Road, Suite B Fort Collins, CO 80525  
 (970) 484-7477 www.Tec-engrs.com

LIFT STATION AND HEADWORKS FACILITIES  
 CITY OF LAMAR, COLORADO

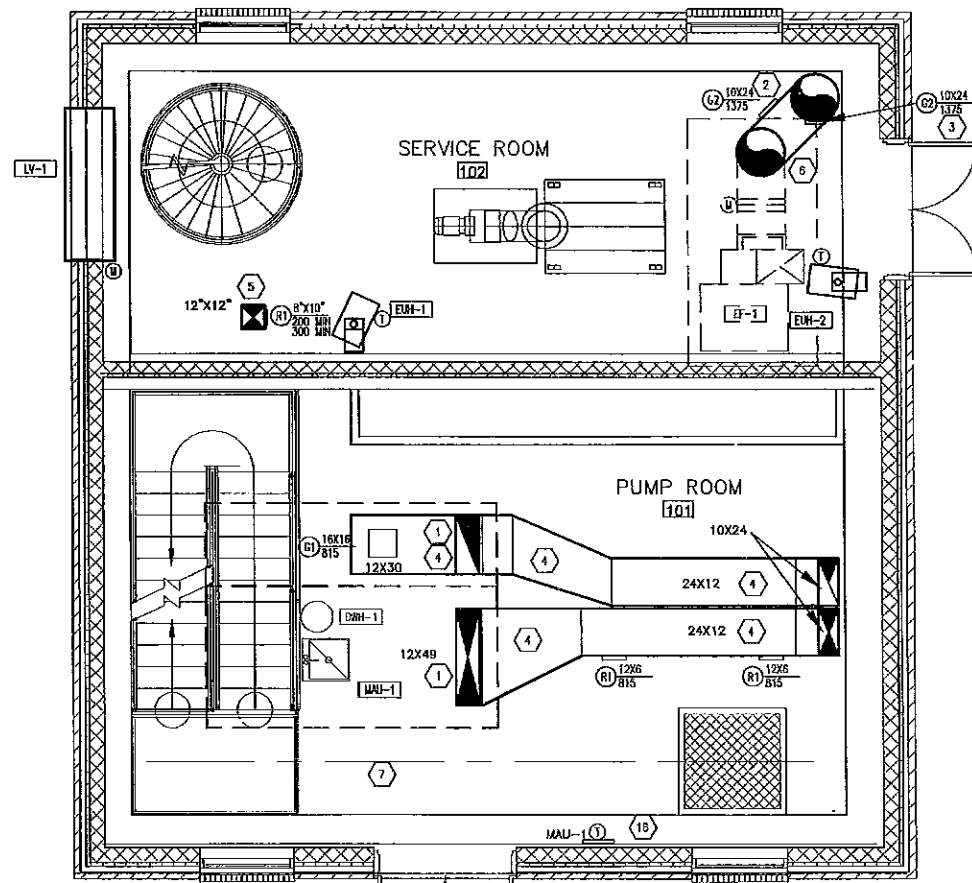
MECHANICAL BUILDING PLAN

SCALE VERIFICATION  
 0 1"  
 IF NOT 1 INCH ON  
 THIS SHEET, ADJUST  
 SCALES ACCORDINGLY

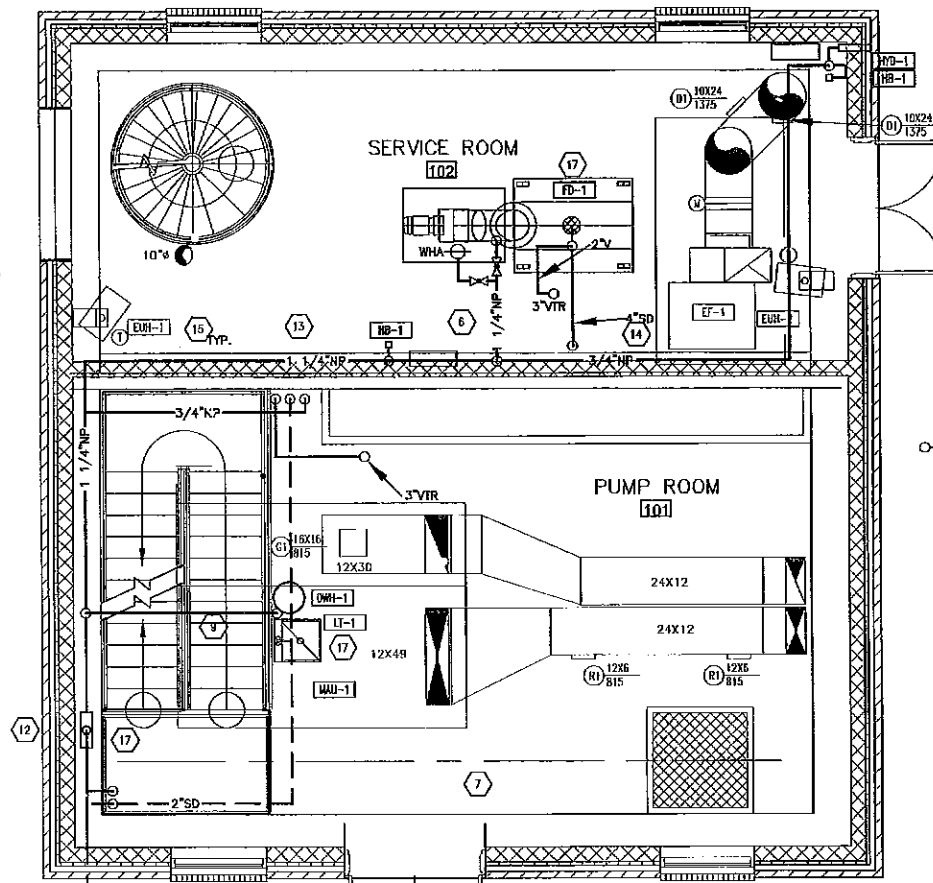
SHEETS

SHEET

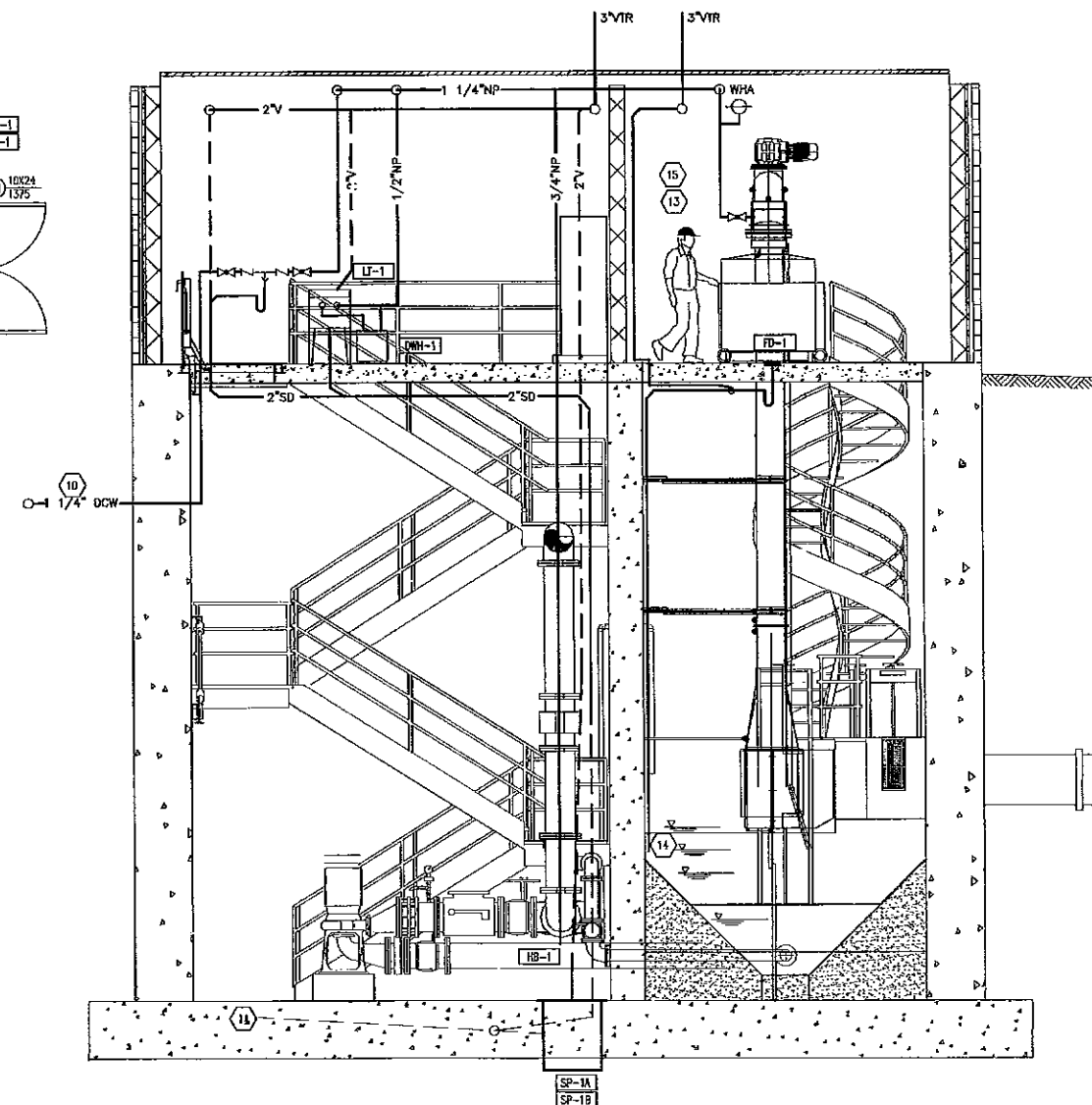
M1



**MECHANICAL PLAN**  
UPPER LEVEL  
SCALE 1/4"=1'-0"



**MECHANICAL PIPING PLAN**  
UPPER LEVEL  
SCALE 1/4"=1'-0"



**MECHANICAL SECTION**  
SCALE 1/4"=1'-0"

**CONSTRUCTION NOTES**

- 1 DUCT CONTINUES TO THE MAKE UP AIR UNIT ON THE ROOF.
- 2 LOCATE THE GRILLE AS HIGH AS POSSIBLE.
- 3 LOCATE THE GRILL WITHIN 12" OF THE FLOOR.
- 4 LOCATE THE DUCT AS HIGH AS POSSIBLE SD AS NOT TO INTERFERE WITH THE MONORAIL.
- 5 PROVIDE AND INSTALL 12"x12" FRP DUCT.
- 6 ALL SCREWS, FASTENERS, AND DUCT HANGING MATERIAL ETC. ARE REQUIRED TO BE STAINLESS STEEL IN THIS AREA.
- 7 LOCATION OF MONORAIL.
- 8 1 1/4" DCW CONTINUE ON 'C' SERIES DRAWINGS.
- 9 SECURE 3/4" NP PIPE AS CLOSE AS POSSIBLE TO THE CEILING.
- 10 1 1/4" DCW SERVICE ENTRANCE LOCATION
- 11 4"SD CONTINUE TO THE FLOOR TRENCH.
- 12 PROVIDE AND INSTALL A REDUCED TYPE BACK FLOW PREVENTOR.
- 13 USE PVC SCHEDULE 80 FOR THE NONPOTABLE WATER IN THE WET WELL.
- 14 4" SD CONTINUE TO WET WELL PIT.
- 15 ALL PIPE PENETRATIONS TO BE GAS TIGHT INTO AND OUT OF THE WET WELL.
- 16 PROVIDE AND INSTALL 1" INSULATED BLOCK BEHIND THE THERMOSTAT.
- 17 PROVIDE AND INSTALL THE TRAP PRIMERS FOR ALL THE FLOOR DRAINS. CONNECT THE SUPPLY TO THE LAUNDRY TUB.

E:\2009 Projects\09-028.05\09028.05.M2.dwg Last Saved: 7/22/2009 1:55 PM AutoCad Ver: 17.1S (LMS TECH)

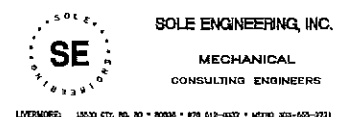
NO.	DATE	REVISIONS	BY

DRAWN	GE	DESIGNED	SE	DATE	JUNE 2009
SCALE	AS NOTED	CHECKED	GE	PROJ. NO.	09028.05
		APPROVED			

**The Engineering Company**  
2310 East Prospect Road, Suite B Fort Collins, CO 80525  
(970) 484-7477 www.Tec-engrs.com

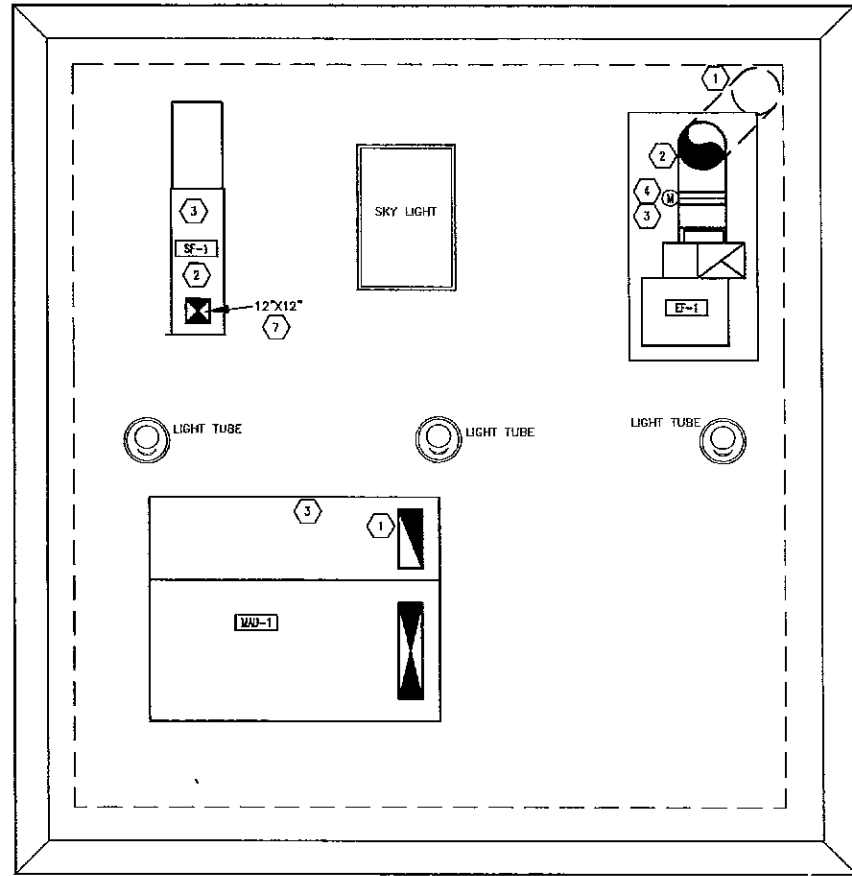
LIFT STATION AND HEADWORKS FACILITIES  
CITY OF LAMAR, COLORADO

MECHANICAL BUILDING PLAN &  
SECTION



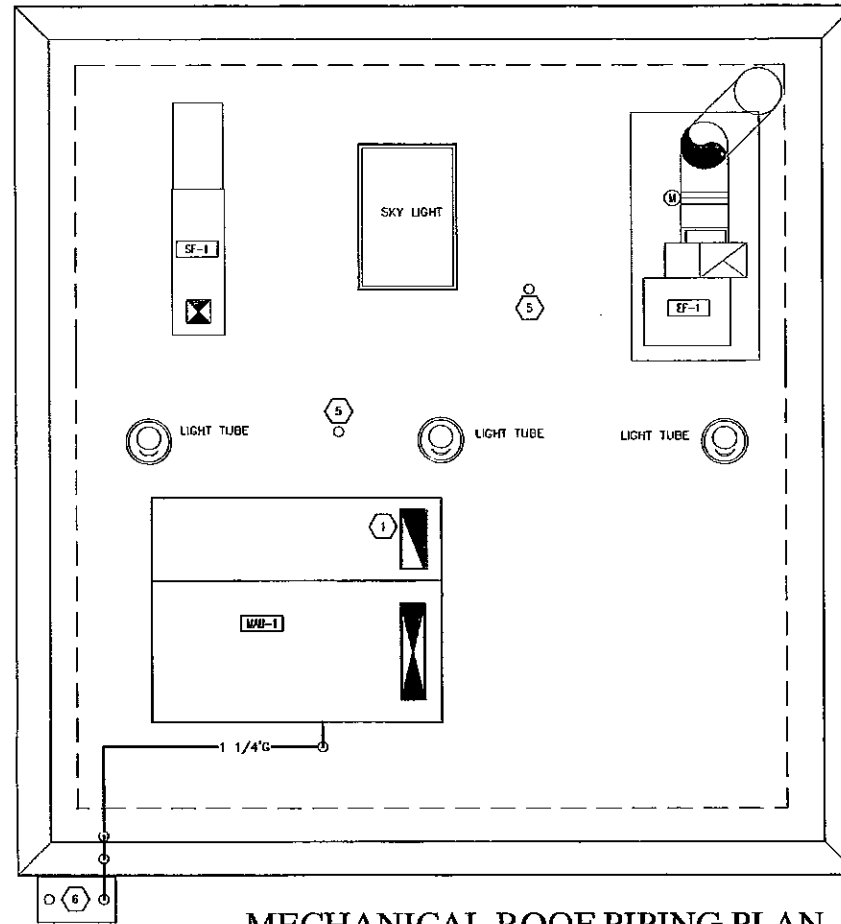
SCALE VERIFICATION  
0 1"  
IF NOT 1 RICH ON  
THIS SHEET, ADJUST  
SCALES ACCORDINGLY

SHEETS	SHEET
	M2



**MECHANICAL ROOF PLAN**

SCALE 1/4"=1'-0"



**MECHANICAL ROOF PIPING PLAN**

SCALE 1/4"=1'-0"

**CONSTRUCTION NOTES**

- 1 24"Ø DUCT CONTINUE TO LOWER LEVEL.
- 2 ROOF PENETRATION IS REQUIRED.
- 3 MINIMUM CURB HEIGHT FOR ALL H & V EQUIPMENT ON THE ROOF IS 24".
- 4 PROVIDE AND INSTALL A CONTROL DAMPER WITH A 120 V. ELECTRICAL OPERATOR. PROVIDE A WEATHER PROOF OPERATOR.
- 5 3" VENT THROUGH THE ROOF.
- 6 PROPOSED LOCATION OF GAS METER.
- 7 THIS FAN IS USED TO MAINTAIN POSITIVE PRESSURE. PROVIDE NO LESS THAN 200 CFM AND NO MORE THAN 300 CFM.

**GENERAL NOTES**

- 1 BRANCH DUCT SAME SIZE AS DIFFUSER, RILLE OR REGISTER NECK SIZE UNLESS OTHERWISE NOTED.
- 2 INSTALL TURNING VANES IN ALL SQUARE AND RECTANGULAR ELBOWS.
- 3 REFER TO ARCHITECTURAL DRAWINGS FOR EXACT LOCATION OF LOUVERS, DIFFUSERS, REGISTERS, GRILLES ROOF DRAINS, AND PLUMBING FIXTURES.
- 4 HORSEPOWER SHOWN ON ALL SCHEDULES SHALL BE MINIMUM SUPPLIED.
- 5 COMBINE PLUMBING VENTS WHERE SHOWN ON DRAWINGS TO MINIMIZE ROOF PENETRATION.
- 6 VERIFY ALL ELECTRICAL DATA ON MECHANICAL EQUIPMENT WITH E SERIES DRAWINGS.
- 7 ANY DISCREPANCIES BETWEEN M SERIES DRAWINGS AND A,C,E SERIES, NOTIFY ENGINEER.
- 8 DO NOT LOCATE ANY PIPING OR AIR DUCT ABOVE OR BELOW ELECTRICAL PANEL.
- 9 SHEETMETAL TRANSITIONS WILL BE REQUIRED FOR ALL EQUIPMENT SUPPLIED TO DUCT SIZES SHOWN ON DWGS.
- 10 MECHANICAL CONTROL AND INTERLOCK WIRE AND CONDUIT MUST COMPLY WITH ELECTRICAL DIVISION 16.
- 11 ANY GAS PIPING IN CONCEALED SPACES MUST BE WELDED. REFER TO NFPA PUBLICATION #54.
- 12 ALL DIMENSIONS ARE INCHES UNLESS OTHERWISE NOTED.
- 13 NO FLEXIBLE DUCT ALLOWED.
- 14 ALL EQUIPMENT FASTENING METHODS AND FASTNERS IN THE WET WELL ARE REQUIRED TO BE STAINLESS STEEL.



SOLE ENGINEERING, INC.  
MECHANICAL  
CONSULTING ENGINEERS

MEMPHIS 901-476-8800 • FT. COLLINS 970-812-0337 • WEST 303-655-2721

E:\2009 Projects\09-028.05\09028.05.M3.dwg Last Saved: 6/30/2009 7:53 AM AutoCad Ver: 17.1S (LMS TECH)

NO.	DATE	REVISIONS	BY

DRAWN	GE	DESIGNED	SE	DATE	JUNE 2009
CHECKED		APPROVED			
SCALE	AS NOTED			PROJ. NO.	09028.05

**The Engineering Company**  
2310 East Prospect Road, Suite B Fort Collins, CO 80525  
(970) 484-7477 www.Tec-engs.com

LIFT STATION AND HEADWORKS FACILITIES  
CITY OF LAMAR, COLORADO

MECHANICAL ROOF PLAN

SCALE VERIFICATION  
0 1"  
IF NOT 1 INCH ON  
THIS SHEET, ADJUST  
SCALES ACCORDINGLY

SHEETS SHEET  
M3

### MECHANICAL LEGEND

SYMBOL	DESCRIPTION	SYMBOL	DESCRIPTION	SYMBOL	DESCRIPTION
	DOMESTIC COLD WATER		CONCENTRIC REDUCER		SUPPLY DUCT FLOOR/ROOF PENETRATION
	NON POTABLE HOT WATER		ELBOW UP		EXHAUST DUCT FLOOR/ROOF PENETRATION
	SANITARY DRAIN OR WASTE		TEE UP		SUPPLY DUCT UP
	SANITARY DRAIN OR WASTE BELOW GRADE		TEE DOWN		SUPPLY DUCT DOWN
	VENT		PIPE CAP OR PLUG		EXHAUST DUCT UP
	VENT BELOW GRADE		GATE VALVE		EXHAUST DUCT DOWN
	EQUIPMENT DRAIN		BALL VALVE		UP-LESS THAN 12"
	NATURAL GAS		RELIEF VALVE		DOWN-LESS THAN 12"
	NON POTABLE		CHECK VALVE		UP-12" AND GREATER
	B & G CIRCUIT SETTER		HOSE END VALVE (HEV)		DOWN-12" AND GREATER
	PRESSURE REDUCING VALVE		UNION		ELBOW W/TURNING VANES
	SOLENOID VALVE		THERMOMETER		MANUAL VOLUME DAMPER
	LUIG TYPE BUTTERFLY VALVE		ELBOW-SCHMATIC DIAGRAM		SQUARE TO ROUND
	PLUG BALANCE VALVE		TEE-SCHMATIC DIAGRAM		FLEXIBLE CONNECTION
	DIFFUSER TAG		NON-RETURN ARRESTOR (NRA)		TRANSITION IN SIZE
	DETAIL NO. 1		BACK FLOW PREVENTER (BFP)		
	DETAIL TAG		AIR FLOW		
	THERMOSTAT		CONSTRUCTION NOTE		
			NEW FIXTURE/EQUIPMENT		

### SUPPLY FAN SCHEDULE

TAG	CFM	ESP INCHES	ELECTRICAL DATA				STAGES OF HEAT	REMARKS	
			KW	VOLTS	PHASE	MOP			
SF-1	300.0	0.376"	6.0	480	3	X	X	2	X
NOTES: 1. 2.									

### MAKE UP AIR UNIT SCHEDULE

TAG	MAU-1	RECLAIM				
MANUFACTURER	ENG. AIR	----				
UNIT MODEL	DJ-40	----				
WEIGHT LBS.	7500	----				
TOTAL CFM	2300	2300				
O.S.A. MIN	2300	2300				
ESP (IN W.C.)	1.25	1.25				
MBH OUTPUT @ SITE	300,000.0	x				
AIR EOBT °F.	-20	60.0				
AIR LDBT °F.	89.2	x				
HP (MIN.)	3.0	2.0				
MAX RPM (MOTOR)	1750	1750				
VOLTS/PHASE	460/3	460/3				
MOP	10.0	----				
MCA	10.1	----				
REMARKS	1,2	----				
NOTES: 1. ELEVATION AT SITE 3600 FT. 2. MANUFACTURER TO PROVIDE A NONFUSED DISCONNECT SWITCH. x x x						

### PLUMBING FIXTURE CONNECTION SCHEDULE

TAG	DESCRIPTION	ROUGH IN SIZES				REMARKS
		WASTE	VENT	HW	NP	
LT-1	LAUNDRY TUB	2"	1 1/2"	1/2"	1/2"	
HB-1	HOSE BIB	----	----	----	3/4"	
HYD-1	HYDRENT	----	----	----	3/4"	
FD-1	FLOOR DRAIN	4"	2.0	----	----	
TD-1	TRENCH DRAIN	4"	2.0	----	----	
NOTES: 1.						

### GRILLES, REGISTERS, AND DIFFUSER SCHEDULE

TAG	MANUFACTURER/ MODEL	DESCRIPTION	MOUNTING TYPE	MATERIAL	VOLUME DAMPER	REMARKS
R-1	TITUS/300	REGISTER	DUCT	ALUMINUM	YES	
D-1	TITUS/TMR	DIFFUSER	DUCT	ALUMINUM	YES	
G-1	TITUS/350	GRILLE	DUCT	ALUMINUM	YES	
G-2	TITUS/350	GRILLE	DUCT	STAINLESS STEEL	YES	
NOTES:						

### PUMP SCHEDULE

TAG	SERVICE	GPM	HEAD FT. WC	VOLTS/ PHASE	HP	MFR./MODEL	REMARKS
SP-1A	SUMP PUMP	10.0	20.0	480/3	1/2	ZOLLER/0267	1
SP-1B	SUMP PUMP	10.0	20.0	480/3	1/2	ZOLLER/0267	1
NOTES: BASIN MFR. TOP MODEL B41-120SA 30"x36"							

### LOUVER SCHEDULE

TAG	LOCATION	FUNCTION	SIZE	REMARKS
LV-1	HEADWORKS	D.S.A. INTAKE	78"x42"	1,2
NOTES: 1. PROVIDE 1/4 x 1/4 BIRD SCREEN 2. PROVIDE MOTORIZED DAMPER WITH CLASS 1 DIVISION 1 GROUP D OPERATOR.				

### ELECTRIC UNIT HEATERS

TAG	ELECTRICAL DATA			REMARKS
	KW	VOLTS	PHASE	
EUH-1	7.5	480	3	1,2
EUH-2	7.5	480	3	1,2
NOTES: 1. MANUFACTURER-INDEECO FOR HAZARDOUS-CLASS 1, DIVISION 1 2. MANUFACTURER-TO PROVIDE AND INSTALL AN INTEGRAL THERMOSTAT.				

### EXHAUST FAN SCHEDULE

TAG	LOCATION	CFM	ESP INCHES	ELECTRICAL			REMARKS
				HP	VOLTS	PHASE	
EF-1	ROOF	2750	1.5	7.5	480	3	1,2
NOTES: 1. MFR. INDUSTRIAL PLASTICS MODEL FB20. CLASS 1, DIVISION 1 2. PROVIDE WEATHER PROOF HOOD.							

### ELECTRIC WATER HEATER

TAG	SERVICE	RECOVERY	STORAGE GALLON	VOLTS/ PHASE	WATTS	REMARKS
DWH-1	DOMESTIC	DOMESTIC	6.0	120/1	1850	1
NOTES: 1. MFR. STATE MODEL ES6 6 SONS						

E:\2009 Projects\09-028.05\09028.05.M4.dwg Last Saved: 6/30/2009 7:55 AM AutoCad Ver: 17.1S (LMS TECH)

NO.	DATE	REVISIONS	BY

DRAWN	GE	DESIGNED	SE	DATE	JUNE 2009
SCALE	AS NOTED	CHECKED	GE	PROJ. NO.	09028.0
		APPROVED			

**The Engineering Company**  
2310 East Prospect Road, Suite B Fort Collins, CO 80525  
(970) 484-7477 www.Tec-engrs.com

LIFT STATION AND HEADWORKS FACILITIES  
CITY OF LAMAR, COLORADO

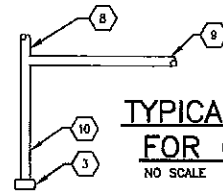
MECHANICAL SCHEDULES

SHEETS SHEET  
M4



SOLE ENGINEERING, INC.  
MECHANICAL  
CONSULTING ENGINEERS

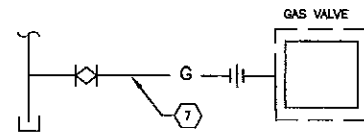
SCALE VERIFICATION  
0 1" IF NOT 1 INCH ON THIS SHEET, ADJUST SCALES ACCORDINGLY



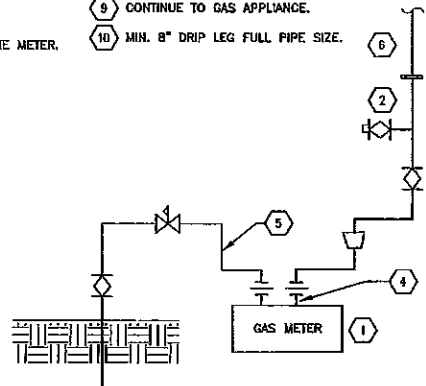
**TYPICAL DRIP LEG FOR GAS PIPING**  
NO SCALE

**CONSTRUCTION NOTES:**

- 1 UTILITY COMPANY TO PROVIDE METER.
- 2 3/4" TEST STATION - CAPPED LUBRICATED PLUG COCK.
- 3 CAP.
- 4 MECHANICAL CONTRACTOR TO INSTALL THE GAS DISTRIBUTION SYSTEM TO THE METER.
- 5 PIPING BY THE UTILITY COMPANY.
- 6 SECURE PIPE TO WALL.
- 7 FLEXIBLE APPLIANCE CONNECTOR NOT ALLOWED.
- 8 GAS MAIN CONTINUES.
- 9 CONTINUE TO GAS APPLIANCE.
- 10 MIN. 8" DRIP LEG FULL PIPE SIZE.



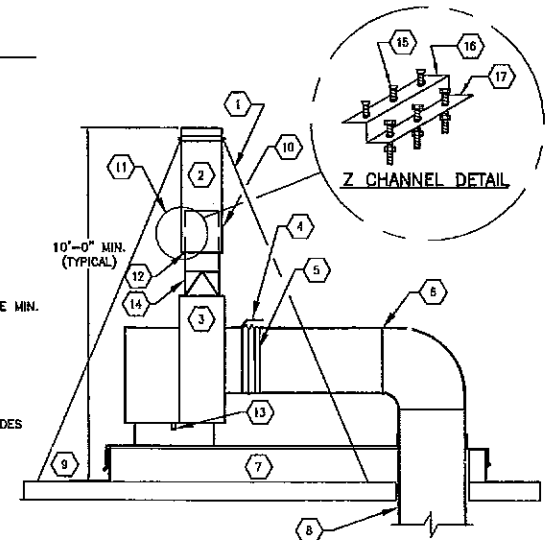
**TYPICAL APPLIANCE CONNECTION**  
NO SCALE



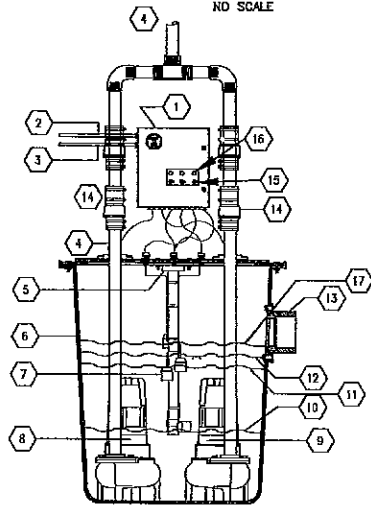
**GAS METER PIPING DETAIL**  
NO SCALE

**NOTES:**

- 1 GUY WIRE (3 REQUIRED)
- 2 WEATHER SHIELD (MIN. 4' LONG)
- 3 UTILITY FAN
- 4 WEATHER FLASHING TOP AND TWO SIDES
- 5 FLEX CONNECTION
- 6 WEATHER PROOF ALL JOINTS
- 7 MINIMUM CURB HEIGHT IS 24".
- 8 DUCT THRU ROOF
- 9 FLASH & COUNTER FLASH CURB TO ROOF.
- 10 OUTER STACK 2" LARGER DIAMETER, 22 GAUGE MIN.
- 11 Z CHANNEL INTERIOR SUPPORT (TYP. OF 4)
- 12 INDUCED AIR
- 13 THREADED DRAIN
- 14 IF FLANGES ARE NOT PROVIDED, OVERLAP SQ. TO RND. ADAPTER A MINIMUM OF 4" ON 3 SIDES AND SCREW TO HOUSING
- 15 SCREWED TO OUTER DUCT
- 16 1"x1"x1"-18 GA. SS
- 17 BOLTED TO INNER DUCT--SS



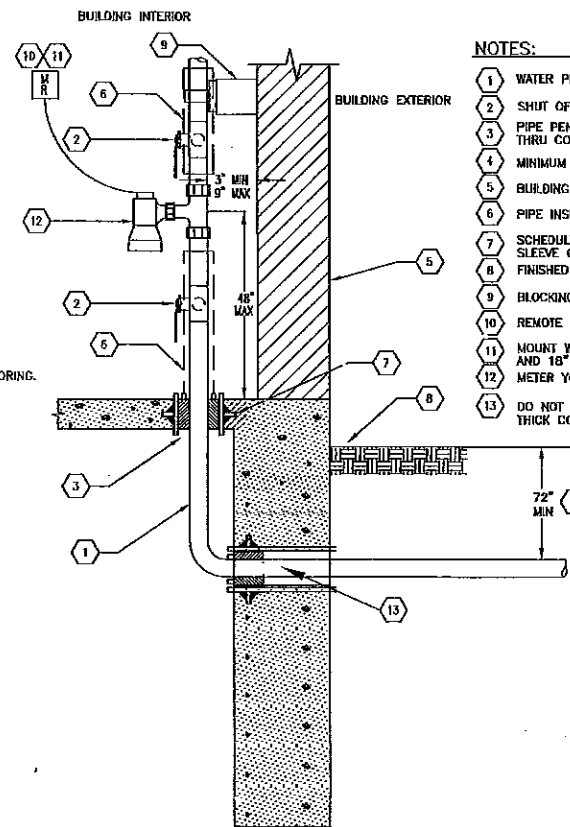
**EXHAUST FAN DETAIL**  
NO SCALE



**DUPLEX PUMP ALTERNATING SYSTEM**  
NO SCALE

**NOTES:**

- 1 ELECTRICAL ALTERNATOR CONTROL PANEL.
- 2 PUMP POWER SUPPLY.
- 3 CONTROL AND ALARM POWER SUPPLY.
- 4 DISCHARGE PIPE.
- 5 FLOOR FLANGE.
- 6 FIBERGLASS DR POLYETHYLENE BASIN-30"x36".
- 7 FLOAT SWITCH.
- 8 SP-1A
- 9 SP-1B
- 10 "OFF" LEVEL.
- 11 "ON" LEVEL PUMPS ALTERNATE OPERATION EACH CYCLE. PROVIDE AN HIGH LEVEL AUXILIARY CONTACT FOR REMOTE MONITORING.
- 12 "ALARM-OVERRIDE LEVEL" BOTH PUMPS "ON" ALARM BELL "ON" 3 FLOAT SYSTEM.
- 13 4" HUB INLET.
- 14 DOUBLE CHECK VALVE IN SERIES.
- 15 TOGGLE SWITCH.
- 16 INDICATOR LIGHT.
- 17 "ALARM-OVERRIDE LEVEL" BOTH PUMPS "ON" ALARM BELL "ON" 4 FLOAT SYSTEM.



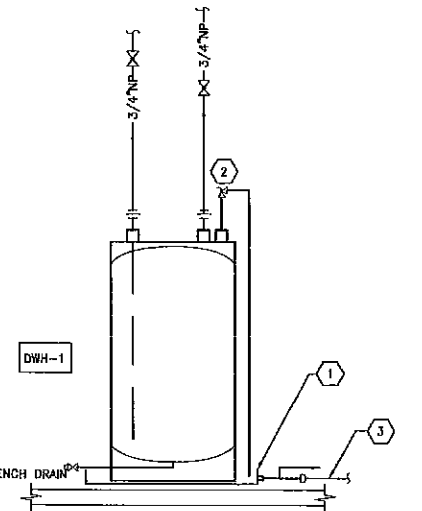
**DOMESTIC COLD WATER SERVICE ENTRANCE**  
NO SCALE

**NOTES:**

- 1 WATER PIPE
- 2 SHUT OFF VALVE
- 3 PIPE PENETRATION THRU CONCRETE
- 4 MINIMUM DEPTH BURIED PIPE
- 5 BUILDING WALL
- 6 PIPE INSULATION
- 7 SCHEDULE 40 GAUGE PIPE SLEEVE CAST IN PLACE
- 8 FINISHED GRADE
- 9 BLOCKING-SECURE PIPE TO WALL
- 10 REMOVE METER READOUT
- 11 MOUNT WITHIN 4"-0" OF WATER METER AND 18" TO 66" ABOVE FINISH GRADE
- 12 METER YOKE OR METER
- 13 DO NOT HAVE ANY JOINTS IN THE PIPE IN THE 30" THICK CONCRETE WALL.

**NOTES:**

- 1 NEW 16 GAGE GALVANIZED STEEL PAN.
- 2 PIPE RELIEF VALVE TO THE PAN.
- 3 PIPE EQUIPMENT DRAIN LINE TO TRENCH DRAIN IN LOWER LEVEL.



**ELECTRIC WATER HEATER PIPING**  
NO SCALE

**NOTES:**

- 1 3/4" PIPE.
- 2 THREADED BALL VALVE. OR WOODFORD MODEL 24 WITH ANTI-CONTAMINATION VACUUM BREAKER.
- 3 3/4" HOSE END ADAPTER, VACUUM BREAKER, BACKFLOW PREVENTER.
- 4 CONCRETE WALL.
- 5 UNISTRUT-P2600 WITH UNCUSHION PROTECTION.
- 6 PROVIDE AND INSTALL A STATIONARY HOSE REEL ADEQUATE FOR 100' OF 3/4" HOSE. THE MATERIAL IN THE WET WELL IS REQUIRED TO BE STAINLESS STEEL.

**HOSE BIBB DETAIL**  
NO SCALE



SOLE ENGINEERING, INC.  
MECHANICAL  
CONSULTING ENGINEERS

LIVEFARE: 1500 CRY. RD. #0 • 80808 • 970 912-6377 • MEMO 300-665-2721

E:\2009 Projects\09-028.05\09028.05.M5.dwg Last Saved: 7/22/2009 1:55 PM AutoCad Ver: 17.1S (LMS TECH)

NO.	DATE	REVISIONS	BY

DRAWN	GE	DESIGNED	SE	DATE	JUNE 2009
CHECKED		APPROVED		PROJ. NO.	09028.0



**The Engineering Company**  
2310 East Prospect Road, Suite B Fort Collins, CO 80525  
(970) 484-7477 www.Tec-engrs.Com

LIFT STATION AND HEADWORKS FACILITIES  
CITY OF LAMAR, COLORADO

MECHANICAL DETAILS

SCALE VERIFICATION  
0 IF NOT 1 INCH ON THIS SHEET, ADJUST SCALES ACCORDINGLY

SHEETS SHEET  
M5