

SOUTH ADAMS COUNTY
WATER AND SANITATION DISTRICT

LIFT STATION NO. 2 EXPANSION

ADDENDUM NO. 1

A. SCOPE. This Addendum No. 1 consists of pages AD1-1 through AD1-3 and the following attachment which is to be included in the Contract Documents:

- Attachment 1 – Wall Pipe Detail

This Addendum No. 1 makes the following additions and changes to the Contract Documents for this project.

B. SPECIFICATIONS

1. Section 02901 – LANDSCAPING

- a. Page 1, Paragraph 1-1. Delete the word "Replacements" from the list of Work. This section covers only the installation of landscaping rock.
- b. Page 1, Paragraph 1-2. Delete this paragraph in its entirety.
- c. Page 1, Paragraph 1-3. Delete this paragraph in its entirety.

2. Section 08620 - SKYLIGHTS

- a. Page 1, Paragraph 2-2. Change the quantity of skylights from two to one. Only one skylight is to be furnished and installed as indicated on the Drawings.

C. DRAWINGS.

1. Sheet 3 of 29, C-1, Site Plan. Add the following note:

"11. All ground surfaces of the site, other than paved surfaces, are covered by landscaping rock. All areas of site disturbed during construction shall be covered with similar landscaping rock to

(SACWSD)
(LIFT STATION NO. 2 EXPANSION)
(1623223.0300)
(12/12/08)

AD1-1

match existing rock. Weed-block fabric shall be laid on smooth, uniformly graded ground. Fabric shall be overlapped at least 6 inches on all sides. All landscaping rock shall be installed over weed-block fabric. Refer to Specification Section 02901 for additional information."

2. Sheet 4 of 29, C-2, Demolition and Floor Plan. Make the following changes:

- a. The manhole cover shown at the northwest corner of the Expansion Floor Plan shall be a square, heavy duty, bolted, gasket-sealed frame and cover with lift handles and stainless steel butt hinges. The cover shall be Neenah R-6662-KH, or equal. Minimum interior opening shall be 24 inches square. The frame shall be installed as directed by Engineer.
- b. Add the following table to this sheet..

PIPE SCHEDULE		
Service	Material	Spec. Sect.
Pump suction, discharge header and force main to tie-in at exist. force main	Ductile Iron	15061
Existing force main	C900 PVC	N/A
Air release valve discharge	Copper	15070
Wetwell vent	CPVC	15067
Bioxide piping (replace only if damaged)	CPVC	15067
Pump drain lines	Galv. steel	15065
Influent gravity sewer	PVC	02628
Roof drain piping	CISP	15069
Bubbler lines	Copper	15070
Natural gas	Steel	15065

3. Sheet 6 of 29, C-4, Sections. Make the following changes:

- a. In Section 1, for the sleeve detail where the 12-inch discharge pipe exits the building, refer to Detail J in Attachment 1 of this Addendum No. 1. The elbow encased in concrete inside the building below the floor shall be restrained joint or flanged.

(SACWSD)
 (LIFT STATION NO. 2 EXPANSION)
 (1623223.0300)
 (12/12/08)

AD1-2

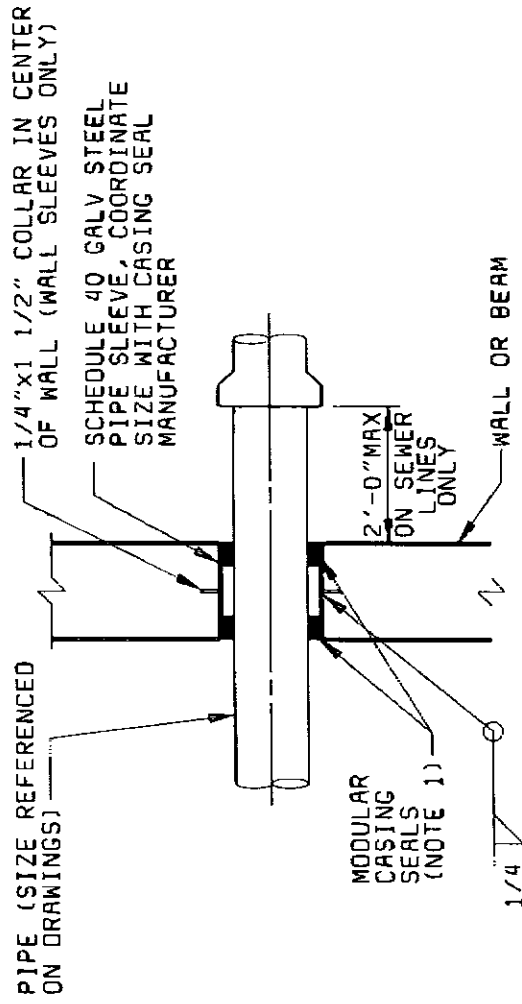
- b. In Section 1, where the 30-inch sewer enters the wetwell, change the detail for the wall penetration to Detail J in Attachment 1 of this Addendum No. 1.
- c. In Section 2, change the callout for the existing flanged coupling adaptor on the suction pipe from "10-inch" to "12-inch".
- d. In Section 2, change the callout for the new reducing elbow on the suction pipe from "8-inch x 10-inch" to "8-inch by 12-inch."
- e. In Section 1, the elbows at the bottom of the 10-inch suction pipes shall be Flange x Flared End fittings.
4. Sheet 10 of 29, C-8, Miscellaneous Details. In Detail F – DIP Mechanical Joints with Tie Rods, delete Note 6 that reads: "Where used at buried locations at exterior building walls, provide MJxFLG adaptor with insulating flange."
5. Sheet 24 of 29, E-3, Miscellaneous One-Line Diagrams. In the upper right corner of the drawing, in the diagram for Existing Generator SG2, there is an existing conductor shown without a destination indicated. Insert "Existing ATS-2" as the destination.
6. Sheet 28 of 29, E-7, Site Plan. Change the callout on the two new conduits from the existing lift station building to the chemical storage building from "Note 7" to "Note 7 and Note 3". The size of the new conduits is 2-inch.
- D. ACKNOWLEDGEMENT BY BIDDER. Each Bidder is required to acknowledge receipt of Addendum No. 1 in the space provided in the Bid Form.

December 12, 2008

BLACK & VEATCH CORPORATION

(SACWSD)
(LIFT STATION NO. 2 EXPANSION)
(1623223.0300)
(12/12/08)

AD1-3



FOR PIPE 3 INCHES & LARGER

NOTES:

- 1. ONLY ONE MODULAR CASING SEAL REQUIRED AT INTERIOR WALLS.
- 2. FOR PIPES IN WALLS AND SLABS THAT ARE SMALLER THAN 3", THE PENETRATION MAY BE CORE DRILLED OR SLEEVED.

WALL OR SLAB SLEEVE J

NO SCALE



BLACK & VEATCH Corporation
 6300 S. Syracuse Way
 Suite 300
 Centennial, CO 80111
 Phone: 720-834-4200
 Fax: 720-834-4285

SOUTH ADAMS COUNTY WATER & SANITATION DISTRICT
 LIFT STATION NO. 2 EXPANSION

PROJECT NO.
162323

ADDENDUM NO. 1 - ATTACHMENT 1